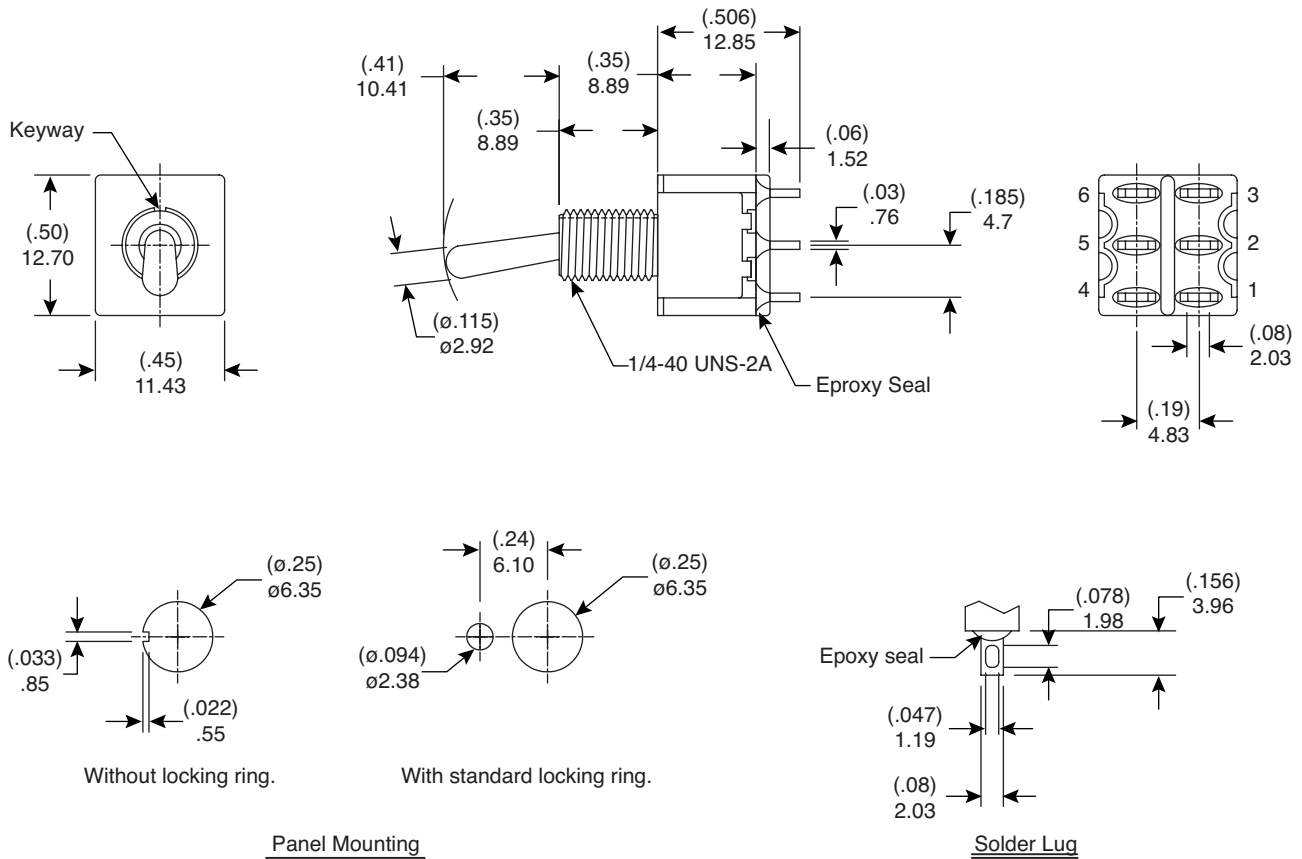
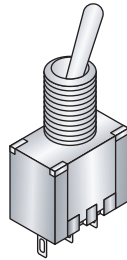


Dimensions: mm (In.)



**Electrical Specifications:**

- Rating: 2A / 250VAC, 5A / 120 VAC or 28 VDC
- Contact Resistance: 10m $\Omega$  max. initial @ 2-4VDC 100mA
- Insulation Resistance: 1,000M $\Omega$  min.
- Dielectric Strength: 1,000 V RMS@sea level

**Materials:**

- Case: Diallyl phthalate (DAP)
- Actuator: Brass, chrome plated
- Bushing: Brass, nickel plated
- Housing: Stainless Steel
- Terminal/Contact: Silver or gold plated

**Mechanical Specifications:**

- Mechanical Life: 40,000 make-and-break cycles
- Operating Temperature: -30°C to 85°C

**Note:**

- RoHS compliant by exemption

Mouser Stock No.	Type	Circuit
108-0004-EVX	DPDT	On-Off-(On)
108-0005-EVX	DPDT	(On)-Off-(On)

**Miniature Toggle Switches**  
108-0004-EVX, 108-0005-EVX

